

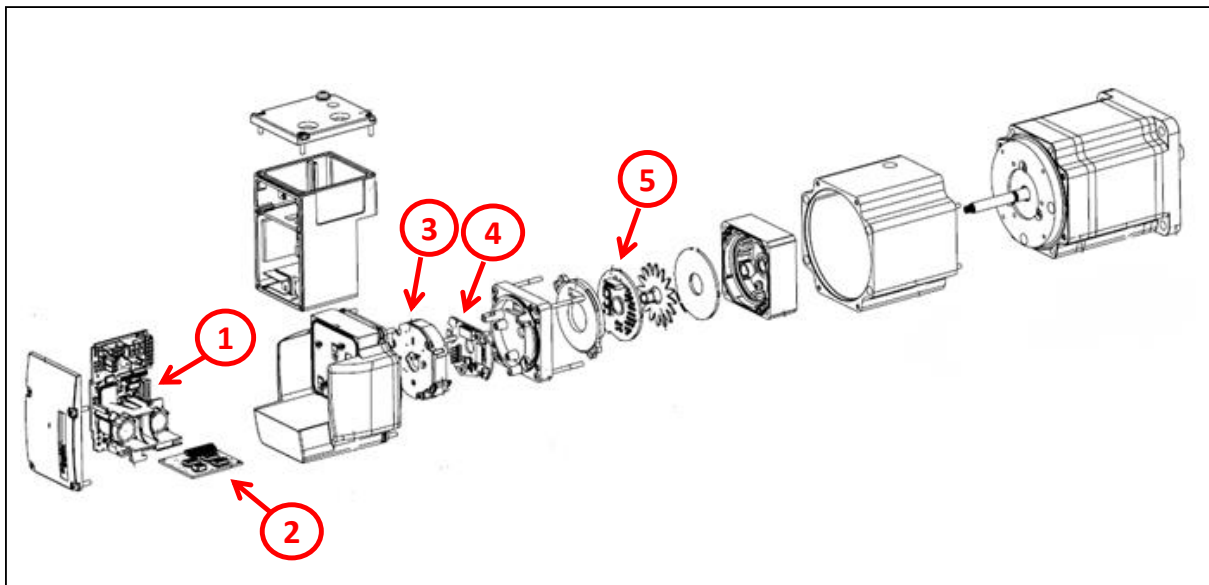
Circularity Profile

Lexium Integrated Drive ILS





End of Life Instructions



Recommendation	Number on drawing	Component / Material	Weight (in g)	Comment
To be depolluted	1	Electronic Board (Power) > 10cm ²	67.10	
To be depolluted	2	Electronic Board (Power) > 10cm ²	9.72	
To be depolluted	3	Electronic Board (Power) > 10cm ²	11.75	
To be depolluted	4	Electronic Board (Power) > 10cm ²	7.08	
To be depolluted	5	Electronic Board (Power) > 10cm ²	2.84	



Product description

Manufacturer identification	Schneider Electric Industries SAS
Brand name	Schneider Electric
Product function	The main purpose of the Lexium Integrated Drive ILS product range is to control the variation of the rotational speed and position of a stepper electric motor.
Product reference	ILS1F852S1449
Total representative product mass	4298 g
Representative product dimensions	66 mm x 119,6 mm x 217,3 mm
Date of information release	11/2020



Additional information

Legal information	This product family is in the scope of European Union directive 2012/19/EU on Waste Electrical and Electronic Equipment (WEEE). The product family must be disposed according to the legislation of the country. This document is intended for use by end of life recyclers or treatment facilities. It provides the basic information to assure an appropriate end of life treatment for the components and materials of the product.	
Recyclability potential	81%	Based on "ECO'DEEE recyclability and recoverability calculation method" (version V1, 20 Sep. 2008 presented to the French Agency for Environment and Energy Management: ADEME).

Schneider Electric Industries SAS

Country Customer Care Center
<http://www.schneider-electric.com/contact>

35, rue Joseph Monier
CS 30323
F- 92506 Rueil Malmaison Cedex
RCS Nanterre 954 503 439
Capital social 896 313 776 €

www.schneider-electric.com

ENVEOLI2011006_V1

Published by Schneider Electric

© 2020 - Schneider Electric – All rights reserved

11/2020